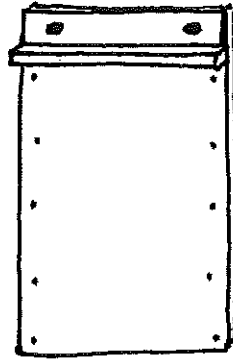
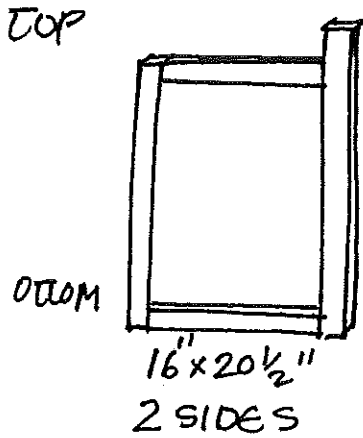


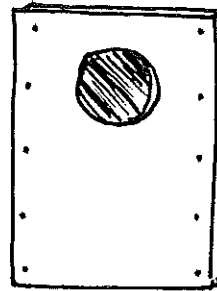


~ CALIFORNIA OWL BOX ~

INSTRUCTIONS FOR ASSEMBLY



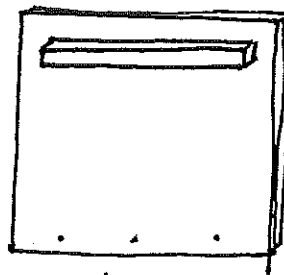
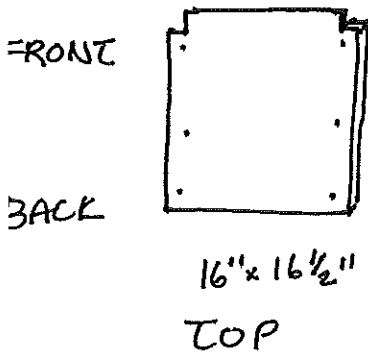
1 BACK
16" x 26"



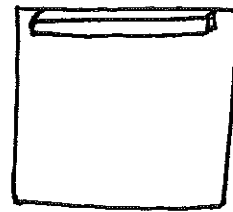
1 FRONT
16" x 20 1/2"

TTTTTTTTTTTT
TTTTTT TTTT
TTTTTTTTTTTT
TTTTTTTTTT

THIRTYNINE PLUS
1" GALVANIZED
SCREWS



20" x 18 1/2"
SUNSHADE



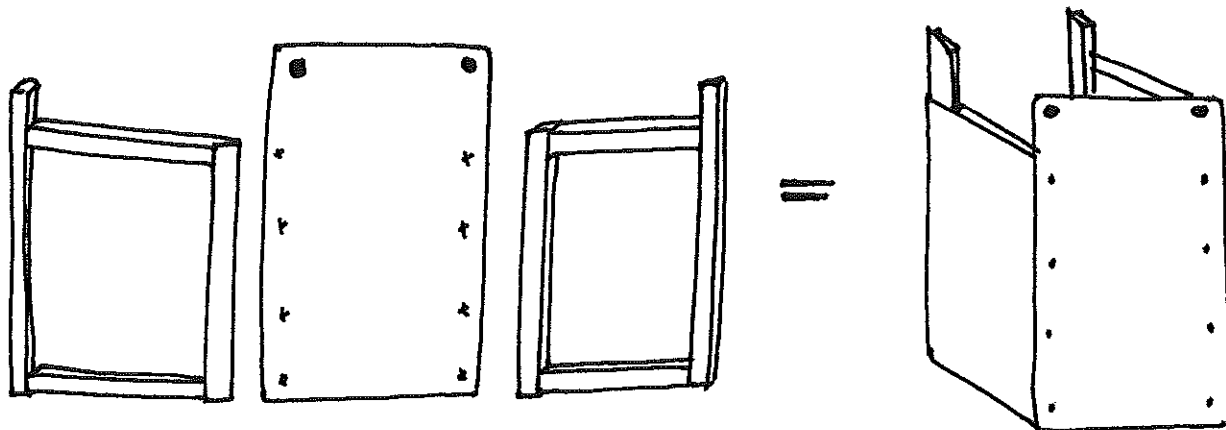
16" x 14 1/2"
BOTTOM

~ TOOLS FOR ASSEMBLY ~

1. PHILLIPS HEAD SCREWDRIVER
2. FLAT SURFACE TO WORK ON
3. DIRECTIONS

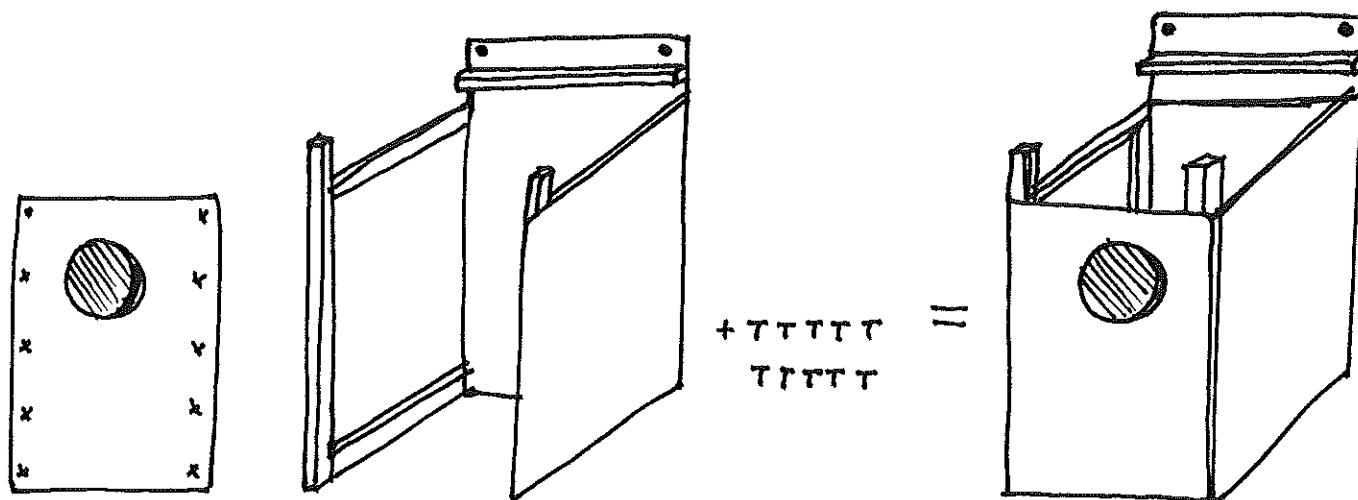
INSTRUCTIONS FOR ASSEMBLY

① ATTACH 2 SIDES TO BACK. THIS STEP REQUIRES 8 SCREWS. PUT CORNER SCREWS IN FIRST



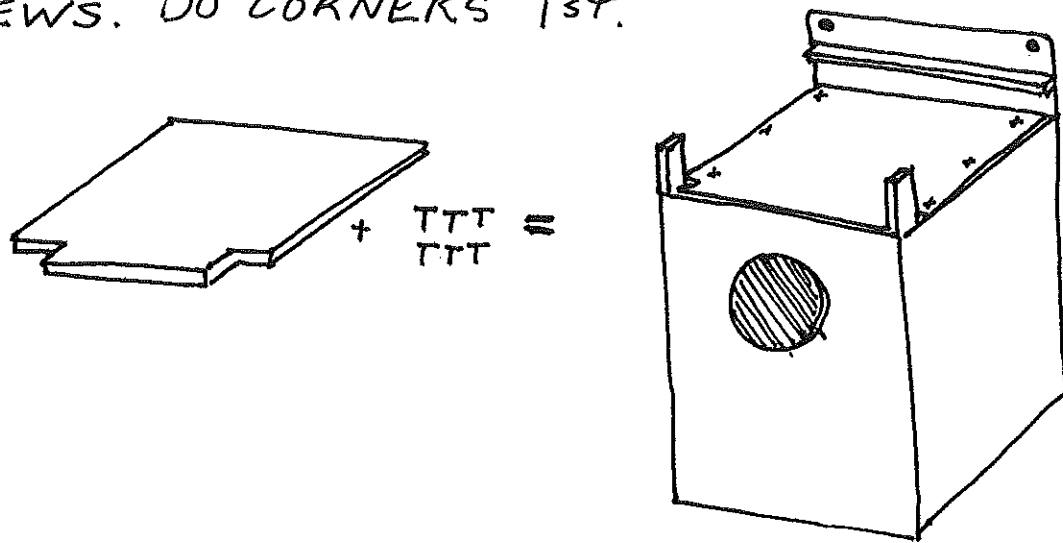
+ TTTTTTTT

② ATTACH FRONT TO BACK & SIDES. THIS STEP REQUIRES 10 SCREWS. ATTACH 4 CORNER SCREWS TO SQUARE CORNERS FIRST.

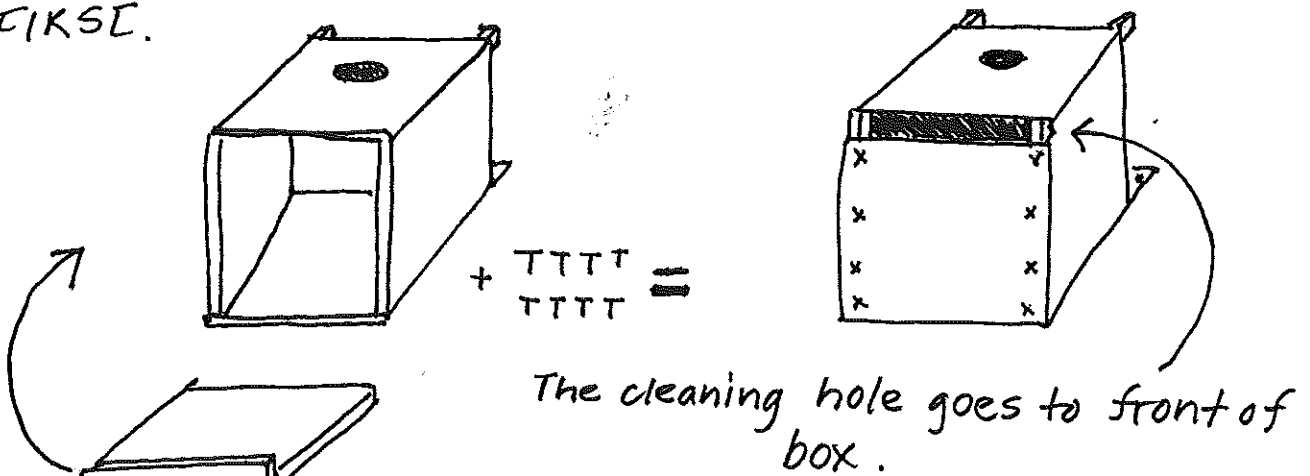


+ TTTTTT
TTTTT

③ ATTACH TOP OF NESTING BOX. THIS STEP NEEDS 6 SCREWS. DO CORNERS 1ST.



④ ATTACH BOTTOM TO NEST BOX. THIS STEP REQUIRES 8 SCREWS. FLIP BOX TO BACKSIDE. DO CORNERS FIRST.



⑤ ATTACH SUNSHADE. 1st PLACE BOTTOMSIDE DOWN THIS STEP REQUIRES 5 SCREWS. WOOD CLEAT GOES TO FRONTSIDE OF BOX.

